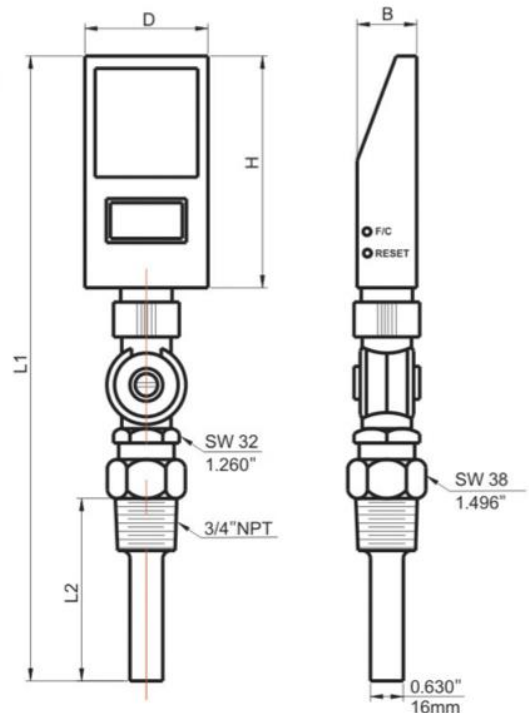


### ● Features:

- \* Dual Scale Switchable Between °F and °C
- \* Display Updates Every 10 Seconds
- \* 0.10° Display Resolution
- \* Adjustable Angle Over 180°
- \* 360° Case Rotation
- \* 3.5" (90mm) or 6" (150mm) Stem
- \* Durable High Impact ABS Case
- \* Polycarbonate Lens
- \* Low Light Compatible 16 LUX Minimum
- \* 1-1/4"-18 UNEF Brass Swivel Nut Connection
- \* -50°F to 320°F (-45°C to 160°C)  
Process Temperature Limit
- \* 14°F to 150°F (-10°C to 65°C)  
Ambient Temperature Limit

### ● Applications:

- \* The bulb and socket are completely interchangeable with standard industrial thermometers. Fits right back into your existing well.
- \* The easy to read LCD display has a range of -50 to 300°F and -50 to 150°C (user selectable). Reads to 0.1 of a degree.
- \* Large solar panel needs only 16 lux to operate. Adjustable stem makes it easy to read at any angle.



Specifications	
Stem	3.5", 6"
Range	-50+150°C & -50+300°F
Case	ABS
LCD Display	3/8"
Connection	3/4" NPT
Power	Solar, no battery
Accuracy	±1%

### ● TSD Series Product Code

Stem Length	3.5"	6"
-50/320°F & -45/160°C	DAT35	DAT6

Dial Length	D	B	H	L1	L2
9" (225mm)	2.362" (60mm)	1.142" (29mm)	4.488" (114mm)	12.161" (308.9mm)	3.5" (88.9mm)
	2.362" (60mm)	1.142" (29mm)	4.488" (114mm)	14.661" (372.4mm)	6" (152.4mm)