



● Features:

- * Solar digital industrial thermometer
- * Dial size 3"(75mm)
- * Temperature range: -50°F to 320°F (-50°C to 160°C)
- * Connection: 1/2"NPT, Adjustable angle
- * Housing in the weather-resistant SS304 case
- * Big LCD display

● Applications:

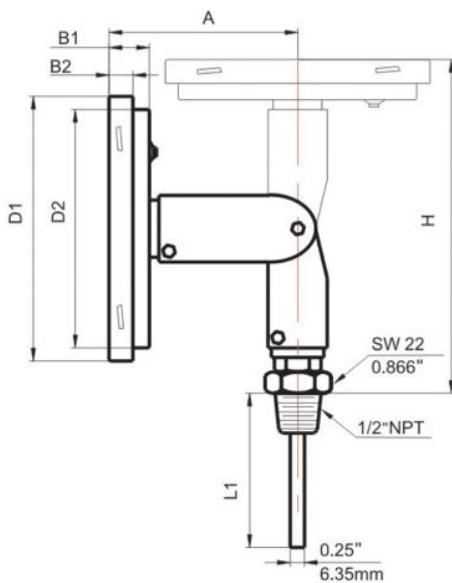
- * Temperature sensing for heating, ventilation, air conditioning, food processing, waste water, industrial processes or compressors



Specifications	
Dial	3"(75mm)
Range	Single reading -50+150°C -50+300°F
Case	SS 304
Stem Length	2.5"(63mm) ~ 24"(610mm)
Connection	1/2"NPT, adjustable angle
Power	Solar and battery
Accuracy	±1%

● TDA Series Product Code

Dial Size	3"(75mm)							
Stem Length	2.5"	4"	6"	9"	12"	15"	18"	24"
50/320°F & -50/160°C	SDT25	SDT4	SDT6	SDT9	SDT12	SDT15	SDT18	SDT24



Dial Size	D1	D2	B1	B2	A	H	L1
3"	3.189" (81mm)	2.953" (75mm)	0.866" (22mm)	0.394" (10mm)	2.283" (58mm)	4.094" (104mm)	2.5"(63.5mm)
							4"(101.6mm)
							6"(152.4mm)
							9"(228.6mm)
							12"(304.8mm)
							15"(381mm)
18"(457.2mm)							
24"(609.6mm)							