



### ● Features:

- \* With strong and durable quality and high resistance of concussion
- \* Dual scale (°F&°C)
- \* Back or bottom connection
- \* 1 year warranty

### ● Applications:

- \* Can be used in heating, ventilating, air-conditioning, refrigeration system, measuring liquid & gas temperature system, measuring liquid & gas temperature directly
- \* The remote reading, Shockproof requirements, refrigeration plant, marine machinery, etc

Specifications	
Dial	2.5"(63mm), 4"(100mm)
Case	Stainless steel, ABS case available
Capillary	Copper or stainless steel, Length from 0.2m to 10m
Form & Flange	Back connection with front flange Bottom connection with back flange
Installation	Insert
Accuracy	±2%

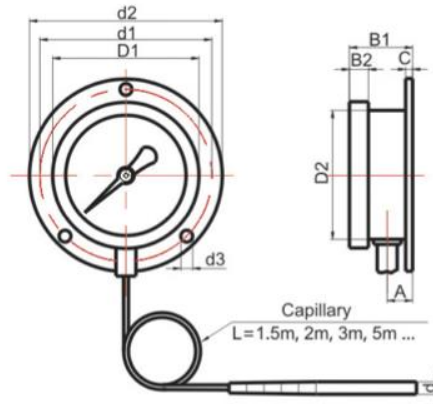
### ● TCD Series Product Code

Dial Size	4"(100mm)			2.5"(63mm)					
	1/2" NPT or without Connection Bottom			1/4" NPT or without Connection Center Back			1/4" NPT or without Connection Center Back		
Case	Black ABS with Back Flange			SS Case without Flange			SS Case with Front Flange		
Capillary Length	1m	2m	3m	8"	12"	15"	8"	12"	15"
-40/60°F & -40/15°C	C4B211F	C4B221F	C4B231F	C25B411WF	C25B421WF	C25B431WF	C25B411OF	C25B421OF	C25B431OF
-40/110°F & -40/40°C	C4B212F	C4B222F	C4B232F	C25B412WF	C25B422WF	C25B432WF	C25B412OF	C25B422OF	C25B432OF
-20/120°F & -30/50°C	C4B213F	C4B223F	C4B233F	C25B413WF	C25B423WF	C25B433WF	C25B413OF	C25B423OF	C25B433OF
30/150°F & 0/65°C	C4B214F	C4B224F	C4B234F	C25B414WF	C25B424WF	C25B434WF	C25B414OF	C25B424OF	C25B434OF
0/180°F & -20/80°C	C4B215F	C4B225F	C4B235F	C25B415WF	C25B425WF	C25B435WF	C25B415OF	C25B425OF	C25B435OF
30/240°F & 0/115°C	C4B216F	C4B226F	C4B236F	C25B416WF	C25B426WF	C25B436WF	C25B416OF	C25B426OF	C25B436OF
40/220°F & 5/100°C	C4B217F	C4B227F	C4B237F	C25B417WF	C25B427WF	C25B437WF	C25B417OF	C25B427OF	C25B437OF
80/300°F & 25/150°C	C4B218F	C4B228F	C4B238F	C25B418WF	C25B428WF	C25B438WF	C25B418OF	C25B428OF	C25B438OF
100/400°F & 40/205°C	C4B219F	C4B229F	C4B239F	C25B419WF	C25B429WF	C25B439WF	C25B419OF	C25B429OF	C25B439OF
100/500°F & 40/260°C	C4B2110F	C4B2210F	C4B2310F	C25B4110WF	C25B4210WF	C25B4310WF	C25B4110OF	C25B4210OF	C25B4310OF

Dial Size	4"(100mm)			4"(100mm)		
	1/2" NPT or without Connection Center Back					
Case	Stainless Steel without Flange			Stainless Steel with Flange		
Connection	Stainless Steel without Flange			Stainless Steel with Flange		
Capillary Length	1m	2m	3m	1m	2m	3m
-40/60°F & -40/15°C	C4B211WF	C4B221WF	C4B231WF	C4B211OF	C4B221OF	C4B231OF
-40/110°F & -40/40°C	C4B212WF	C4B222WF	C4B232WF	C4B212OF	C4B222OF	C4B232OF
-20/120°F & -30/50°C	C4B213WF	C4B223WF	C4B233WF	C4B213OF	C4B223OF	C4B233OF
30/150°F & 0/65°C	C4B214WF	C4B224WF	C4B234WF	C4B214OF	C4B224OF	C4B234OF
0/180°F & -20/80°C	C4B215WF	C4B225WF	C4B235WF	C4B215OF	C4B225OF	C4B235OF
30/240°F & 0/115°C	C4B216WF	C4B226WF	C4B236WF	C4B216OF	C4B226OF	C4B236OF
40/220°F & 5/100°C	C4B217WF	C4B227WF	C4B237WF	C4B217OF	C4B227OF	C4B237OF
80/300°F & 25/150°C	C4B218WF	C4B228WF	C4B238WF	C4B218OF	C4B228OF	C4B238OF
100/400°F & 40/205°C	C4B219WF	C4B229WF	C4B239WF	C4B219OF	C4B229OF	C4B239OF
100/500°F & 40/260°C	C4B2110WF	C4B2210WF	C4B2310WF	C4B2110OF	C4B2210OF	C4B2310OF

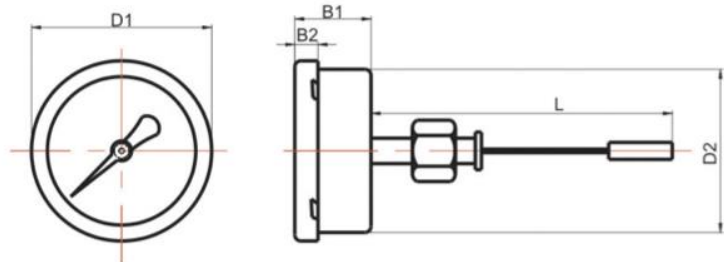
- Other ranges and stem lengths are available, and dual scales C&F or single scale °C available.

### ● TCD-1 Series, Black ABS Case, Bottom with Back Flange



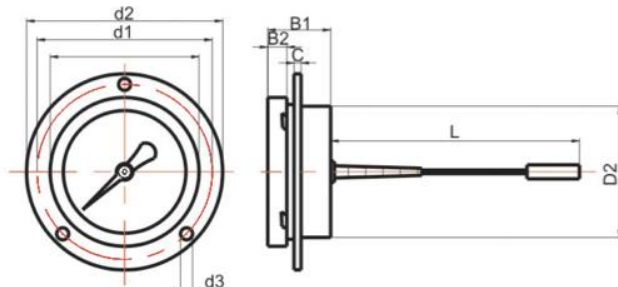
Dial Size	D1	D2	B1	B2	C	d	d1	d2	d3	A	L
4"	4.409" (112mm)	4.016" (102mm)	1.969" (50mm)	0.669" (17mm)	0.197" (5mm)	0.472" (12mm)	4.882" (124mm)	5.315" (135mm)	0.197" (5mm)	0.748" (19mm)	1 m 1.5 m 2 m 3 m

### ● TCD-2 Series, Back Connection without Flange (SS Case)



Dial Size	D1	D2	B1	B2	L
2.5"	2.717" (69mm)	5.441" (62mm)	1.496" (38mm)	0.472" (12mm)	8" (200mm) 12" (300mm) 15" (400mm) 20" (500mm)
4"	4.370" (111mm)	3.937" (100mm)	1.654" (42mm)	0.669" (17mm)	8" (200mm) 12" (300mm) 15" (400mm) 20" (500mm)

### ● TCD-3 Series, Back Connection with Flange (SS Case)



Dial Size	D1	D2	B1	B2	C	d1	d2	d3	L
2.5"	2.717" (69mm)	5.441" (62mm)	1.496" (38mm)	0.472" (12mm)	0.157" (4mm)	3.780" (96mm)	4.409" (112mm)	0.177" (4.5mm)	0.5 m 1 m 1.5 m 2 m
4"	4.370" (111mm)	3.937" (100mm)	1.654" (42mm)	0.669" (17mm)	0.157" (4mm)	4.882" (124mm)	5.512" (140mm)	0.177" (4.5mm)	0.5 m 1 m 1.5 m 2 m