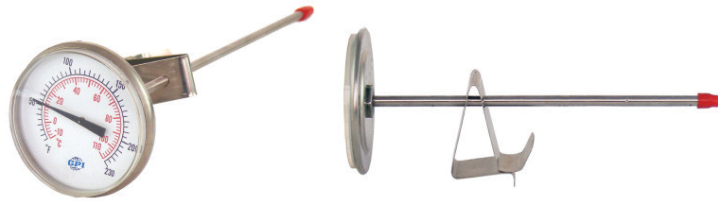


● Pocket Test 1"



● 2" with Z-Clamp



● Back Connection 2" & 3" & 5"



● Bottom Connection 3" & 5"



● Adjustable Angle 3" & 5"



● Features:

- * A general purpose, versatile 1"(25mm) to 5"(125mm) dial, 304 stainless steel thermometer
- * Bi-metallic sensing element for reliable readings
- * Back, bottom or adjustable angle connection
- * Welded stem length from 2.5"(63mm) and up
- * ±1% accuracy
- * Anti-parallax dial that reduces operator reading errors
- * Recalibrator screw is standard on all dial sizes
- * ASEM B40.200 compliant
- * 5 year warranty

● Applications:

- * Industrial process, heating and air conditioning, ventilation and waste water

Specifications

Specifications	
Dial	1"(25mm), 2"(50mm), 3"(75mm), 5"(125mm),
Case	SS304, case with Bayonet bezel or Crimped ring
Stem	SS304 welded to stock (SS316 optional), back, bottom or adjustable angle configurations
Recalibrator	Standard
Lens & Pointer	Lens: Glass standard, hermetically sealed; Pointer: Aluminum, painted black
Connection	1"(25mm), 2"(50mm): None 2"(50mm): 1/4"NPT standard, 3"(75mm), 5"(125mm): 1/2"NPT standard
Sensing Element	Bi-metallic coil
Maximum Operating Pressure	125 psi (861 kPa)
Operating Temperature	75% of full scale value (recommended maximum)
Ambient Temperature	-58°F to 248°F (-50°C to 120°C)
Accuracy	±1% of full scale
Enclosure Rating	IP68



Bimetal Thermometer (All SS)

TBI Series

- TBI Series Pocket Test Thermometer, Dial 1"(25mm) & 2"(50mm), Product Code (Dual Scale F&C or Single Scale °F)

Dial	1" (25mm)	2" (50mm)				
Connection	Centre Back	Back connection with Z Clamp				
Stem Length	5"	5"	6"	8"	10"	12"
-40/120°F	/	B1B251W	B1B261W	B1B281W	B1B2101W	B1B2121W
-40/160°F	B1B152	B1B252W	B1B262W	B1B282W	B1B2102W	B1B2122W
0/140°F	/	B1B253W	B1B263W	B1B283W	B1B2103W	B1B2123W
0/200°F	/	B1B254W	B1B264W	B1B284W	B1B2104W	B1B2124W
20/240°F	/	B1B255W	B1B265W	B1B285W	B1B2105W	B1B2125W
0/250°F	B1B156	B1B256W	B1B266W	B1B286W	B1B2106W	B1B2126W
50/300°F	/	B1B257W	B1B267W	B1B287W	B1B2107W	B1B2127W
50/400°F	/	B1B258W	B1B268W	B1B288W	B1B2108W	B1B2128W
50/500°F	/	B1B259W	B1B269W	B1B289W	B1B2109W	B1B2129W

- TBI Series Bimetal Thermometer, Dial 2"(50mm), 3"(75mm), 5"(125mm), Product Code (Dual Scale F&C or Single Scale °F)

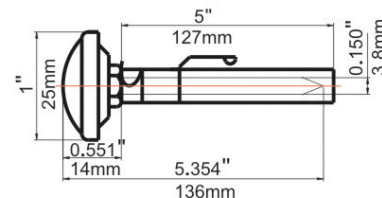
Dial	2"(50mm)			3"(75mm)				
Connection	1/4"NPT Center Back			1/2"NPT Center Back				
Stem Length	2.5"	4"	6"	2.5"	4"	6"	9"	12"
-100/150°F & -70/70°C	/	/	/	/	/	/	/	/
-40/120°F & -40/50°C	B2B1252	B2B142	B2B162	B3B2252	B3B242	B3B262	B3B292	B3B2122
-40/160°F & -40/70°C	/	/	/	/	/	/	/	/
0/140°F & -20/60°C	B2B1254	B2B144	B2B164	B3B2254	B3B244	B3B264	B3B294	B3B2124
10/140°F & -10/60°C	/	/	/	/	/	/	/	/
25/125°F & -5/50°C	/	/	/	/	/	/	/	/
0/200°F & -20/90°C	B2B1257	B2B147	B2B167	B3B2257	B3B247	B3B267	B3B297	B3B2127
20/240°F & -5/115°C	B2B1258	B2B148	B2B168	B3B2258	B3B248	B3B268	B3B298	B3B2128
30/210°F & 0/100°C	/	/	/	/	/	/	/	/
0/250°F & -20/120°C	B2B12510	B2B1410	B2B1610	/	/	/	/	/
50/300°F & 10/150°C	B2B12511	B2B1411	B2B1611	B3B22511	B3B2411	B3B2611	B3B2911	B3B21211
50/400°F & 10/200°C	B2B12512	B2B1412	B2B1612	B3B22512	B3B2412	B3B2612	B3B2912	B3B21212
50/500°F & 10/260°C	B2B12513	B2B1413	B2B1613	B3B22513	B3B2413	B3B2613	B3B2913	B3B21213
150/750°F & 65/400°C	/	/	/	B3B22514	B3B2414	B3B2616	B3B2919	B3B212112
200/1,000°F & 100/540	/	/	/	B3B22515	B3B2415	B3B2615	B3B2915	B3B21215

Dial	3"(75mm)					3"(75mm)				
Connection	1/2"NPT Bottom					1/2"NPT Adjustable Angle				
Stem Length	2.5"	4"	6"	9"	12"	2.5"	4"	6"	9"	12"
-100/150°F & -70/70°C	/	/	/	/	/	/	/	/	/	/
-40/120°F & -40/50°C	B3L2252	B3L242	B3L262	B3L292	B3L2122	B3A2252	B3A242	B3A262	B3A292	B3A2122
-40/160°F & -40/70°C	/	/	/	/	/	/	/	/	/	/
0/140°F & -20/60°C	B3L2254	B3L244	B3L264	B3L294	B3L2124	B3A2254	B3A244	B3A264	B3A294	B3A2124
10/140°F & -10/60°C	/	/	/	/	/	/	/	/	/	/
25/125°F & -5/50°C	/	/	/	/	/	/	/	/	/	/
0/200°F & -20/90°C	B3L2257	B3L247	B3L267	B3L297	B3L2127	B3A2257	B3A247	B3A267	B3A297	B3A2127
20/240°F & -5/115°C	B3L2258	B3L248	B3L268	B3L298	B3L2128	B3A2258	B3A248	B3A268	B3A298	B3A2128
30/210°F & 0/100°C	/	/	/	/	/	/	/	/	/	/
0/250°F & -20/120°C	/	/	/	/	/	/	/	/	/	/
50/300°F & 10/150°C	B3L22511	B3L2411	B3L2611	B3L2911	B3L21211	B3A22511	B3A2411	B3A2611	B3A2911	B3A21211
50/400°F & 10/200°C	B3L22512	B3L2412	B3L2612	B3L2912	B3L21212	B3A22512	B3A2412	B3A2612	B3A2912	B3A21212
50/500°F & 10/260°C	B3L22513	B3L2413	B3L2613	B3L2913	B3L21213	B3A22513	B3A2413	B3A2613	B3A2913	B3A21213
150/750°F & 65/400°C	B3L22514	B3L2414	B3L2616	B3L2919	B3L212112	B3A22514	B3A2414	B3A2616	B3A2919	B3A212112
200/1,000°F & 100/540	B3L22515	B3L2415	B3L2615	B3L2915	B3L21215	B3A22515	B3A2415	B3A2615	B3A2915	B3A21215

Dial	5"(125mm)					5"(125mm)				
Connection	1/2"NPT Bottom					1/2"NPT Adjustable Angle				
Stem Length	2.5"	4"	6"	9"	12"	2.5"	4"	6"	9"	12"
-100/150°F & -70/70°C	B4B2251	B4B241	B4B261	B4B291	B4B2121	B4L2251	B4L241	B4L261	B4L291	B4L2121
-40/120°F & -40/50°C	B4B2252	B4B242	B4B262	B4B292	B4B2122	B4L2252	B4L242	B4L262	B4L292	B4L2122
-40/160°F & -40/70°C	B4B2253	B4B243	B4B263	B4B293	B4B2123	B4L2253	B4L243	B4L263	B4L293	B4L2123
0/140°F & -20/60°C	B4B2254	B4B244	B4B264	B4B294	B4B2124	B4L2254	B4L244	B4L264	B4L294	B4L2124
10/140°F & -10/60°C	B4B2255	B4B245	B4B265	B4B295	B4B2125	B4L2255	B4L245	B4L265	B4L295	B4L2125
25/125°F & -5/50°C	B4B2256	B4B246	B4B266	B4B296	B4B2126	B4L2256	B4L246	B4L266	B4L296	B4L2126
0/200°F & -20/90°C	B4B2257	B4B247	B4B267	B4B297	B4B2127	B4L2257	B4L247	B4L267	B4L297	B4L2127
20/240°F & -5/115°C	B4B2258	B4B248	B4B268	B4B298	B4B2128	B4L2258	B4L248	B4L268	B4L298	B4L2128
30/210°F & 0/100°C	B4B2259	B4B249	B4B269	B4B299	B4B2129	B4L2259	B4L249	B4L269	B4L299	B4L2129
0/250°F & -20/120°C	B4B22510	B4B2410	B4B2610	B4B2910	B4B21210	B4L22510	B4L2410	B4L2610	B4L2910	B4L21210
50/300°F & 10/150°C	B4B22511	B4B2411	B4B2611	B4B2911	B4B21211	B4L22511	B4L2411	B4L2611	B4L2911	B4L21211
50/400°F & 10/200°C	B4B22512	B4B2412	B4B2612	B4B2912	B4B21212	B4L22512	B4L2412	B4L2612	B4L2912	B4L21212
50/500°F & 10/260°C	B4B22513	B4B2413	B4B2613	B4B2913	B4B21213	B4L22513	B4L2413	B4L2613	B4L2913	B4L21213
150/750°F & 65/400°C	B4B22514	B4B2414	B4B2614	B4B2914	B4B21214	B4L22514	B4L2414	B4L2614	B4L2914	B4L21214
200/1,000°F & 100/540	B4B22515	B4B2415	B4B2615	B4B2915	B4B21215	B4L22515	B4L2415	B4L2615	B4L2915	B4L21215

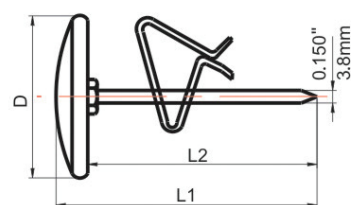
Dial	5"(125mm)				
Connection	1/2"NPT Adjustable Angle				
Stem Length	2.5"	4"	6"	9"	12"
-100/150°F & -70/70°C	B4A2251	B4A241	B4A261	B4A291	B4A2121
-40/120°F & -40/50°C	B4A2252	B4A242	B4A262	B4A292	B4A2122
-40/160°F & -40/70°C	B4A2253	B4A243	B4A263	B4A293	B4A2123
0/140°F & -20/60°C	B4A2254	B4A244	B4A264	B4A294	B4A2124
10/140°F & -10/60°C	B4A2255	B4A245	B4A265	B4A295	B4A2125
25/125°F & -5/50°C	B4A2256	B4A246	B4A266	B4A296	B4A2126
0/200°F & -20/90°C	B4A2257	B4A247	B4A267	B4A297	B4A2127
20/240°F & -5/115°C	B4A2258	B4A248	B4A268	B4A298	B4A2128
30/210°F & 0/100°C	B4A2259	B4A249	B4A269	B4A299	B4A2129
0/250°F & -20/120°C	B4A22510	B4A2410	B4A2610	B4A2910	B4A21210
50/300°F & 10/150°C	B4A22511	B4A2411	B4A2611	B4A2911	B4A21211
50/400°F & 10/200°C	B4A22512	B4A2412	B4A2612	B4A2912	B4A21212
50/500°F & 10/260°C	B4A22513	B4A2413	B4A2613	B4A2913	B4A21213
150/750°F & 65/400°C	B4A22514	B4A2414	B4A2614	B4A2914	B4A21214
200/1,000°F & 100/540	B4A22515	B4A2415	B4A2615	B4A2915	B4A21215

● 1" Pocket Test Thermometer



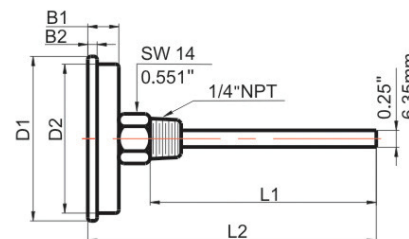
- Other ranges and stem lengths available, and dual scales C&F or single scale °C available.

● 2" Thermometer with Z-Clamp



Dial Size	D	L 1	L 2
3"	2.047" (52mm)	5.472" (139mm)	5" (127mm)
		6.472" (164.4mm)	6" (152.4mm)
		8.472" (215.2mm)	8" (203.2mm)
		10.472" (266mm)	10" (254mm)
		12.472" (316.8mm)	12" (304.8mm)

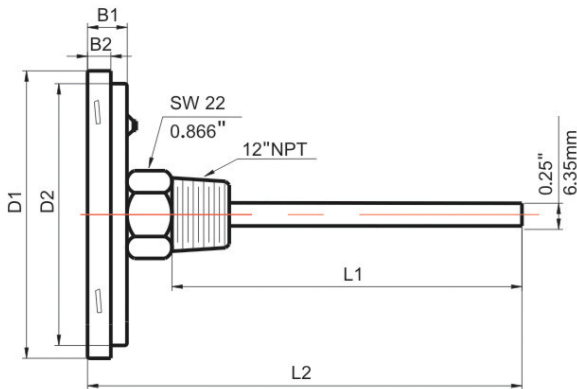
● 2" Back Connection



Dial Size	D 1	D 2	B 1	B 2	L 1	L 2
2"	2.244" (57mm)	2.047" (52mm)	0.551" (14mm)	0.236" (6mm)	2.5" (63.5mm)	3.484" (88.5mm)
					4" (101.6mm)	4.984" (126.6mm)
					6" (152.4mm)	6.984" (177.4mm)

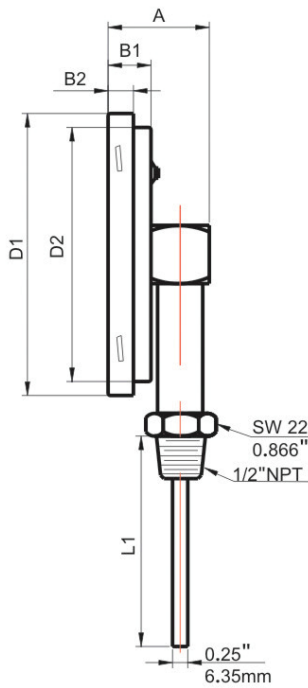


3" & 5" Back Connection



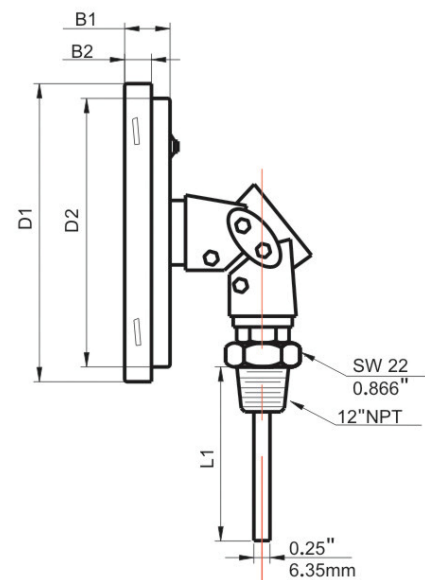
Dial Size	D 1	D 2	B 1	B 2	L 1	L 2
3"	3.189" (81mm)	2.953" (75mm)	0.650" (16.5mm)	0.374" (9.5mm)	2.5" (63.5mm)	3.661" (93mm)
					4" (101.6mm)	5.161" (131.1mm)
					6" (152.4mm)	7.161" (181.9mm)
					9" (228.6mm)	10.161" (258.1mm)
5"	5.118" (130mm)	4.528" (115mm)	0.768" (19.5mm)	0.394" (10mm)	2.5" (63.5mm)	3.780" (96mm)
					4" (101.6mm)	5.280" (134.1mm)
					6" (152.4mm)	7.280" (184.9mm)
					9" (228.6mm)	10.280" (261.1mm)
					12" (304.8mm)	13.280" (337.3mm)

3" & 5" Bottom Connection

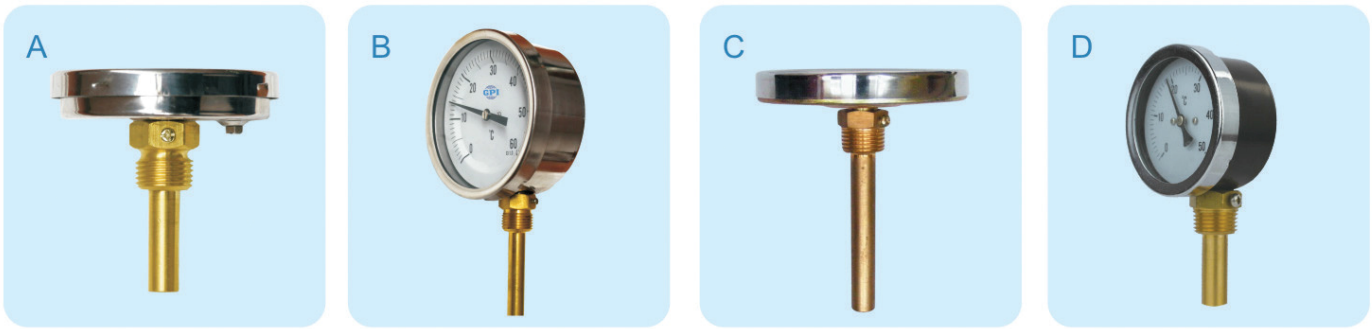


Dial Size	D 1	D 2	B 1	B 2	A	L 1
3"	3.189" (81mm)	2.953" (75mm)	0.650" (16.5mm)	0.374" (9.5mm)	1.516" (38.5mm)	2.5" (63.5mm)
						4" (101.6mm)
						6" (152.4mm)
						9" (228.6mm)
5"	5.118" (130mm)	4.528" (115mm)	0.768" (19.5mm)	0.394" (10mm)	1.634" (41.5mm)	2.5" (63.5mm)
						4" (101.6mm)
						6" (152.4mm)
						9" (228.6mm)
						12" (304.8mm)

3" & 5" Adjustable Angle



Dial Size	D 1	D 2	B 1	B 2	L 1
3"	3.189" (81mm)	2.953" (75mm)	0.650" (16.5mm)	0.374" (9.5mm)	2.5" (63.5mm)
					4" (101.6mm)
					6" (152.4mm)
					9" (228.6mm)
5"	5.118" (130mm)	4.528" (115mm)	0.768" (19.5mm)	0.394" (10mm)	2.5" (63.5mm)
					4" (101.6mm)
					6" (152.4mm)
					9" (228.6mm)
					12" (304.8mm)



Features:

- * A durable and accurate thermometer with a rigid connection
- * Separable thermowell
- * Dual scale (°F&°C)
- * Back or bottom connection
- * 1/2"NPT process connection
- * 5 year warranty

Applications:

- * Mainly applied for different equipments, temperature measurement purpose.

Dial Type Specifications	
Dial	3"(75mm), 4"(100mm), 6"(150mm) aluminum dial, painted white with black and red markings
Case	Stainless steel, Steel plated, Black steel
Lens	Glass
Ring	Stainless steel or chromed steel
Connection	1/2" NPT
Thermowell	Brass, separable
Sensing Element	Bi-metallic element
Pointer	Aluminum, painted black
Accuracy	±2%
Enclosure Rating	IP50

TBT Series Bi-metal Thermometer, Dial 3"(75mm), 4"(100mm), 6"(150mm), Product Code (Dual Scale C&F or Single Scale °C)

Dial	3"(75mm)							
	1/2"NPT Bottom				1/2"NPT Center Back			
Connection								
Stem Length	2.5"	3"	4"	6"	2.5"	3"	4"	6"
-30/50C&F	B5L1251	B5L131	B5L141	B5L161	B5B2251	B5B231	B5B241	B5B261
0/60C&F	B5L1252	B5L132	B5L142	B5L162	B5B2252	B5B232	B5B242	B5B262
0/100C&F	B5L1253	B5L133	B5L143	B5L163	B5B2253	B5B233	B5B243	B5B263
0/150C&F	B5L1254	B5L134	B5L144	B5L164	B5B2254	B5B234	B5B244	B5B264
0/200C&F	B5L1255	B5L135	B5L145	B5L165	B5B2255	B5B235	B5B245	B5B265
0/250C&F	B5L1256	B5L136	B5L146	B5L166	B5B2256	B5B236	B5B246	B5B266
0/300C&F	B5L1257	B5L137	B5L147	B5L167	B5B2257	B5B237	B5B247	B5B267

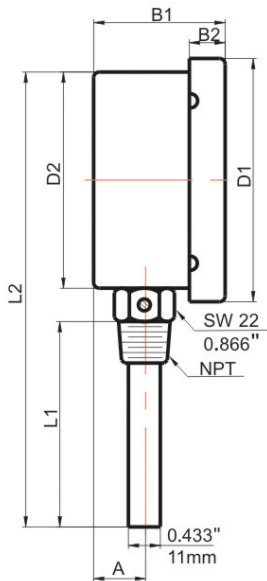


Dial	4"(100mm)							
Connection	1/2"NPT Bottom				1/2"NPT Center Back			
Stem Length	2.5"	3"	4"	6"	2.5"	3"	4"	6"
-30/50C&F	B6L1251	B6L131	B6L141	B6L161	B6B2251	B6B231	B6B241	B6B261
0/60C&F	B6L1252	B6L132	B6L142	B6L162	B6B2252	B6B232	B6B242	B6B262
0/100C&F	B6L1253	B6L133	B6L143	B6L163	B6B2253	B6B233	B6B243	B6B263
0/150C&F	B6L1254	B6L134	B6L144	B6L164	B6B2254	B6B234	B6B244	B6B264
0/200C&F	B6L1255	B6L135	B6L145	B6L165	B6B2255	B6B235	B6B245	B6B265
0/250C&F	B6L1256	B6L136	B6L146	B6L166	B6B2256	B6B236	B6B246	B6B266
0/300C&F	B6L1257	B6L137	B6L147	B6L167	B6B2257	B6B237	B6B247	B6B267

Dial	6"(150mm)							
Connection	1/2"NPT Bottom				1/2"NPT Center Back			
Stem Length	2.5"	3"	4"	6"	2.5"	3"	4"	6"
-30/50C&F	B7L1251	B7L131	B7L141	B7L161	B7B2251	B7B231	B7B241	B7B261
0/60C&F	B7L1252	B7L132	B7L142	B7L162	B7B2252	B7B232	B7B242	B7B262
0/100C&F	B7L1253	B7L133	B7L143	B7L163	B7B2253	B7B233	B7B243	B7B263
0/150C&F	B7L1254	B7L134	B7L144	B7L164	B7B2254	B7B234	B7B244	B7B264
0/200C&F	B7L1255	B7L135	B7L145	B7L165	B7B2255	B7B235	B7B245	B7B265
0/250C&F	B7L1256	B7L136	B7L146	B7L166	B7B2256	B7B236	B7B246	B7B266
0/300C&F	B7L1257	B7L137	B7L147	B7L167	B7B2257	B7B237	B7B247	B7B267

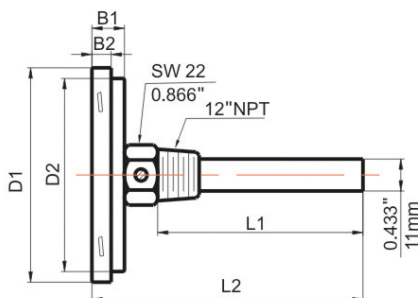
● Other ranges and stem lengths available, and dual scales F&C or single scale °F available.

● Bottom Connection



Dial Size	D 1	D 2	B 1	B 2	L 1	L 2
3"	3.346" (85mm)	2.953" (75mm)	1.890" (48mm)	0.511" (13mm)	2.5" (63.5mm)	5.846" (148.5mm)
					3" (76.2mm)	6.346" (161.2mm)
					4" (101.6mm)	7.346" (186.6mm)
4"	4.291" (109mm)	3.937" (100mm)	1.969" (50mm)	0.551" (14mm)	2.5" (63.5mm)	6.831" (173.5mm)
					3" (76.2mm)	7.331" (186.2mm)
					4" (101.6mm)	8.331" (211.6mm)
6"	6.339" (161mm)	5.846" (148.5mm)	1.969" (50mm)	0.472" (12mm)	2.5" (63.5mm)	8.740" (222mm)
					3" (76.2mm)	9.240" (234.7mm)
					4" (101.6mm)	10.240" (260.1mm)
					6" (152.4mm)	12.240" (310.9mm)

● Back Connection



Dial Size	D 1	D 2	B 1	B 2	L 1	L 2
3"	3.189" (81mm)	2.953" (75mm)	0.650" (16.5mm)	0.374" (9.5mm)	2.5" (63.5mm)	3.543" (90mm)
					3" (76.2mm)	4.122" (104.7mm)
					4" (101.6mm)	5.122" (130.1mm)
4"	4.213" (107mm)	3.898" (99mm)	0.689" (17.5mm)	0.374" (9.5mm)	2.5" (63.5mm)	3.583" (91mm)
					3" (76.2mm)	4.083" (103.7mm)
					4" (101.6mm)	5.083" (129.1mm)
6"	5.945" (151mm)	5.827" (148mm)	0.866" (22mm)	0.669" (17mm)	2.5" (63.5mm)	3.760" (95.5mm)
					3" (76.2mm)	4.260" (108.2mm)
					4" (101.6mm)	5.260" (133.6mm)
					6" (152.4mm)	7.260" (184.4mm)