

● Features:

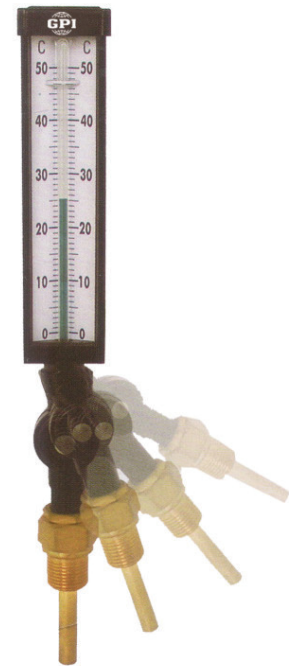
- * Widely specified in the industrial and commercial plumbing trade
- * Includes a separable brass or lead free brass thermowell
- * 3.5" (90mm) and 6" (150mm) stem
- * 9" aluminum or Valox case, and 6" aluminum case only
- * Organic filled tube (magnifying)
- * Dual scale (°F & °C)
- * Vari-angle connection and 360 degree case rotation for easy installation
- * Graphite filled bulb chamber for maximum heat condition
- * ASME B40.200 compliant
- * ±1% accuracy
- * 5 year warranty

● Applications:

- * New construction, plumbing, water lines, boilers, heating, ventilation and air conditioning



● 9" Industrial Thermometer



● 6" Industrial Thermometer

Specifications	
Case Size & Material	9"(230mm) aluminum or Valox case, 6"(150mm) aluminium case only
Lens	Glass
Connection	For 9" case, 3/4"NPT with thermowell with 1 1/4"-18 UNF swivel nut (no thermowell) For 6"case, 1/2"NPT standard
Scales	Aluminum painted white with black markings
Bulb Chamber	Tapered cast aluminum with graphite fill
Tube and Sensing Liquid	Glass (magnifying), Blue, Red or Green liquid
Adjustment	Fully adjustable
Thermowell	3/4" Brass separable socket (SS optional) 3/4"Lead free brass separable socket
Accuracy	±1%
Enclosure Rating	IP54

● Option Explanation:

1. For all the following options, need special instructions in writing.

- * The thermowell material is Brass, SS304, SS316 or 316L
- * The colour of sensing liquid is Blue, Red or Green.
- * All other ranges and stem lengths available upon request.

2. All the product codes in following sheets don't include above option items.



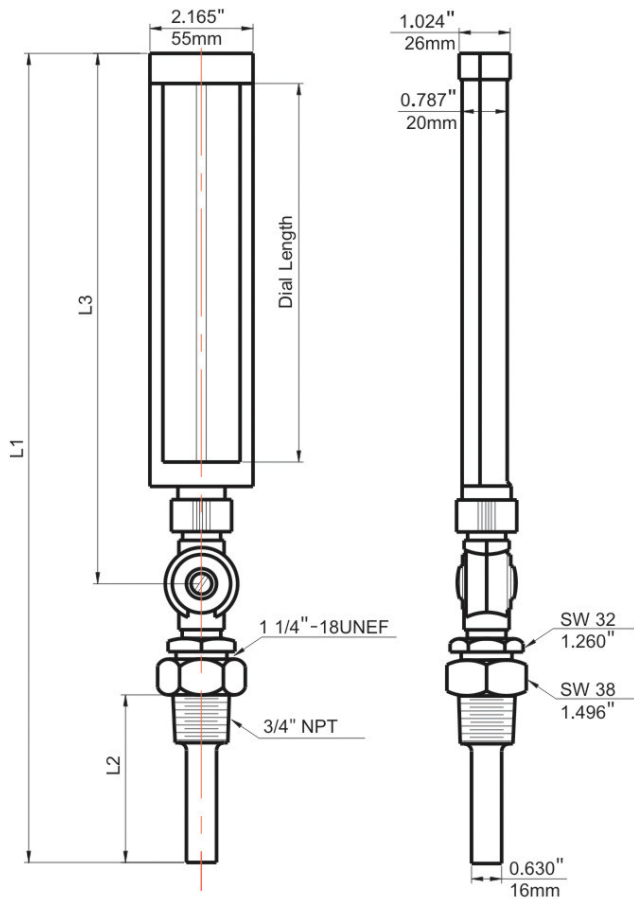
● TAI-9 Series 9" Industrial Thermometer Product Code

Case	9" (230 mm)			
Case Material	Aluminium		Valox	
Stem Length	3.5"	6"	3.5"	6"
-40/110°F & -40+40°C	9T351A	9T61A	9T351V	9T61V
0/120°F & -15+50°C	9T352A	9T62A	9T352V	9T62V
0/160°F & -15+70°C	9T353A	9T63A	9T353V	9T63V
30/180°F & 0+80°C	9T354A	9T64A	9T354V	9T64V
30/240°F & 0+110°C	9T355A	9T65A	9T355V	9T65V
30/300°F & 0+150°C	9T356A	9T66A	9T356V	9T66V
50/400°F & 10+200°C	9T357A	9T67A	9T357V	9T67V
50/550°F & 10+300°C	9T358A	9T68A	9T358V	9T68V
50/750°F & 10+400°C	9T359A	9T69A	9T359V	9T69V

● TAI-6 Series 6" Industrial Thermometer Product Code

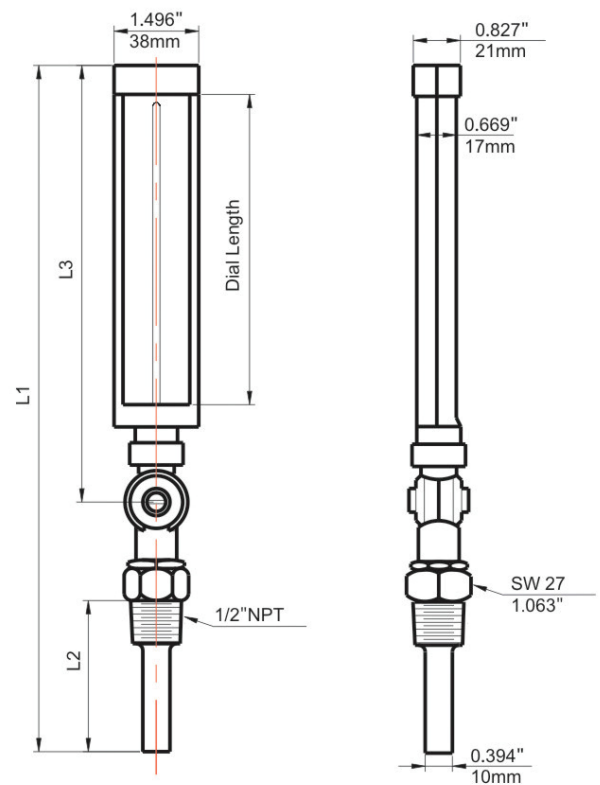
Case Length	6" (150 mm)		
Stem Length	2.5"	4"	6"
-20/120°F & -30/50°C	6T251F	6T41F	6T61F
20/140°F & 0/60°C	6T252F	6T42F	6T62F
30/210°F & 0/100°C	6T253F	6T43F	6T63F
50/300°F & 0/160°C	6T254F	6T44F	6T64F
50/400°F & 0/200°C	6T255F	6T45F	6T65F

● 9" Industrial Thermometer



Dial Length	L 1	L 2	L 3
9" (225mm)	17.476" (443.9mm)	3.5" (88.9mm)	11.811" (300mm)
	19.976" (507.4mm)	6" (152.4mm)	11.811" (300mm)

● 6" Industrial Thermometer



Dial Length	L 1	L 2	L 3
5.6" (142mm)	12.835" (326mm)	2.5" (63mm)	8.071" (205mm)
	14.291" (363mm)	4" (100mm)	8.071" (205mm)
	16.260" (413mm)	6" (150mm)	8.071" (205mm)