



Description:

The model PDG Series low cost digital pressure gauge offers the accuracy of a solid state sensor, while maintaining a low cost that results from its proprietary ASIC design. Its solid state design incorporates a pressure sensor and has no moving parts, ensuring a long life.

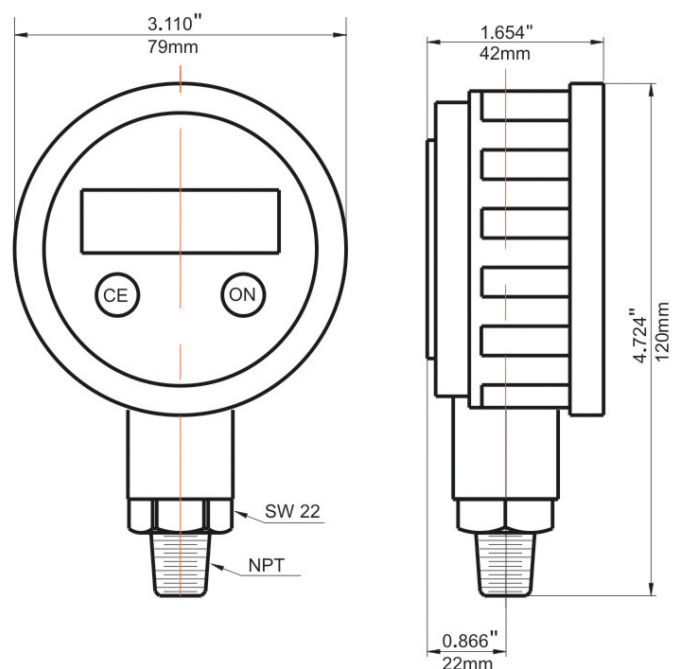
Ease of use and convenience are hallmarks of this product. The large LCD digital display eliminates the guess work in taking readings off an analog dial gauge. Null (CE) on model PDG Series is conveniently achieved by the push of a button. By default, pressure readings are displayed continuously for about 60 seconds, until auto shut-off. In addition, Model PDG Series operates on 2pcs battery (AAA#, 1.5V) or 1pcs square battery(9V).

Features:

- * Large 4-digit LCD display(48x16mm)
- * $\pm 1.0, 0.5, 0.25, FS$ accuracy(user demand)
- * Power supply: 2PCS AAA battery with 1.5V, or 2pcs square battery with 9V
- * Operating mode: processing, peak
- * Power-mode: auto or man shut-off
- * Low-battery indicating($\leq 2.6V$)

Applications:

- * Ideal for commercial and industrial application in both test measurement and general purpose installations.



Specifications	
Dial	2.5"(63mm)
Case	ABS(φ66XH33mm)
Rubber Boots	Silicone rubber
LCD Display	48x16mm
Connection	1/4"NPT
Movement	SS304
Operating Life	1 million cycles
Power Supply	2PCS AAA battery with 1.5V, or 2pcs square battery with 9V
Power Mode	Auto or manual shut-off
Pressure Unit Selection	psi, inH ₂ O, mmHg, mbar, kPa ranges ≤ 100 psi psi, bar, kg/cm ² , MPa, atm ranges ≥ 160 psi
Operating / Storage Temperature	14°F to 122°F (-10°C to 50°C) -4°F to 167°F (-20°C to 75°C)
Operating mode selection	processing reading, peak reading
Proof pressure	200%FS
Burst pressure	300%FS
Zero Offset	1%FS
Full Offset	1%FS
Operating Temperature Range	-10~50°C
Storage Temperature Range	-20~65°C
Battery life	2 year(auto shut-off mode)
Accuracy	±1.0, 0.5, 0.25, FS accuracy(user demand)
Enclosure Rating	IP60

● PDG-1 Product Code for Normal Pressure

Dial size	2.5"(63mm)	
Normal pressure	Product Code	Pressure Unit Select
30"/0/150 psi	P9L34305N	psi MPa bar kgf/cm ² atm
30"/0/200 psi	P9L34306N	
30"/0/300 psi	P9L34307N	
0/160 psi	P9L345N	
0/200 psi	P9L346N	
0/300 psi	P9L347N	
0/600 psi	P9L348N	
0/1,000 psi	P9L349N	
0/1,500 psi	P9L3410N	
0/2,000 psi	P9L3411N	
0/3,000 psi	P9L3412N	
0/5,000 psi	P9L3413N	
0/10,000 psi	P9L3414N	
0/15,000 psi	P9L3415N	

● PDG-2 Product Code for Low Pressure

Dial size	2.5"(63mm)	
Low pressure	Product Code	Pressure Unit Select
30" Hg Vac	P9L3430VL	psi kPa inH ₂ O mbar mmHg
30"/0/15 psi	P9L34301L	
30"/0/30 psi	P9L34302L	
30"/0/60 psi	P9L34303L	
30"/0/100 psi	P9L34304L	
0/15 psi	P9L341L	
0/30 psi	P9L342L	
0/60 psi	P9L343L	
0/100 psi	P9L344L	

● Operating Method:

1. Press **ON** to power on in meter-off-status, hold press **ON** about 3s to power off in meter-on-status.
2. In metr-on-status, press **CE** to update the unit, and the number on LCD also will be updated.
3. In metr-on-status, press **ON** to light the backlight lamp after the backlight lamp is off.
4. In metr-on-status, hold press **CE** about 3s to clear zero reading data in processing-reading mode.
5. In metr-on-status, hold press **CE** about 3s to clear and get peak reading data in peak-reading mode.
6. In metr-on-status, if power supply is 2pcs AAA battery, 'Lo' will display on LCD window when the battery voltage less than 2.6V. can't power on the meter when the battery voltage less than 2.2V.

● Parameter Selection:

* Hold press **CE** button about 5 seconds at processing reading mode (PV-mode) after power on, the meter will turn on the set-value mode(SV-mode): user can update the below parameters:

1. Pressure unit

“tP-mP” or “tP-kP” will show on the LCD, for Normal Pressure, you can press the button **ON** to select 0~MPa, 1~PSI, 2~bar, 3~kg/cm²; for Low Pressure, you can press the button **ON** to select 0~mH₂O, 1~mbar, 2~kpa.

2. Data-point position

“Pot*” will show on the LCD after press button **CE**, for Normal Pressure, you can press the button **ON** to select 2(**.***) or 1(***.*) ; for Low Pressure, you can press the button **ON** to select 3(**.***) or 2(**.***) .

3. Operating mode(power mode)

“Off*” will show on the LCD after press button **CE**, you can press the button **ON** to select 0~auto shut-off mode, 1~man shut-off mode.

4. Measuring mode

“HL *” will show on the LCD after press button **CE**, you can press the button **ON** to select 0~processing reading mode, 1~peak reading mode.

